




# Accessories Catalog

Ci7000 Series, Ci60 Series & MetaVue VS3200





Consistent and repeatable color measurement is the key to color quality control but achieving accuracy can be challenging with irregularly shaped products. X-Rite offers a wide array of accessories to help ensure correct measurement of any product, including powders and liquids.

These accessories have been specifically designed for use with our non-contact, sphere benchtop, and sphere handheld spectrophotometers. Our goal is to provide you with the best possible color quality control.

# Contents

<b>Ci7000 Series</b>	<b>4</b>
Liquids	5
Plastic Preforms	6
Fiber, Carpet, Textiles	6
Thin Films	7
Large Parts, Powders, or Pellets	7
Translucent Materials	7
Instrument Add-On Accessories	7
<b>Ci60 Series</b>	<b>8</b>
Liquids with Instrument Stand	9
Printed Cans (Metal Deco)	9
Small or Odd-Shaped Parts	10
Plastic Pellets	10
Payment Cards	10
Lipsticks	10
Cylindrical Shaped Samples	11
<b>MetaVue VS3200</b>	<b>12</b>
Large or Odd-Shaped Samples	13
Convert Instrument to Measure Like a Benchtop	13
Powders, Liquids, Pastes, and Gels	14



# Ci7000 Series

*Compatible with all models, Ci7000 series accessories are designed to solve the most common device and color measurement challenges.*



# Liquids



## Flow Through Cell Holder

Allows for measurement of liquids housed in a cylindrical cell.  
Items dependent on CiA-800-01 or CiA-800-02  
Not Compatible With: Ci75xx, Ci7630, Ci7830  
*Ci7-801*



## Reflectance Cuvette Holder

Enables reflectance measurement of liquid samples in cuvettes.  
*CiA-803*



## Test Tube Holder White Surround (25mm aperture)

Enables reflectance measurement of liquid samples in test tubes.  
*Ci5-803*



## Orange Juice\* & Liquid Test Tube Holder Black Surround

Integrated test tube holder magnetically attaches to the front of the device to hold and measure orange juice and other liquids.  
*\*Orange Juice only available on approved models.  
423891*



## Liquid Cell Holder Black Surround (10mm aperture)

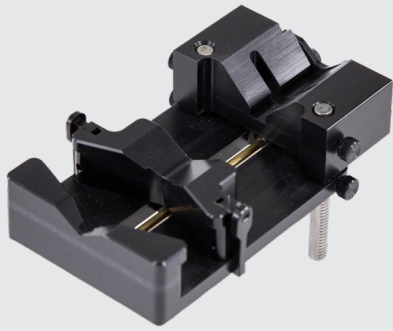
Enables liquid measurement with a cuvette holder.  
*CiA-807*



## Test Tube Holder Kit White Surround (28-30mm aperture)

Measures larger quantity liquids with a larger test tube.  
*CiA-811*

## Plastic Preforms



### Transmission Preform Holder

Enables transmission measurement of non-opaque preform samples.

Not Compatible With: Ci75xx, Ci7630, Ci7830  
Items dependent on CiA-800-01 or CiA-800-02  
Ci7-802

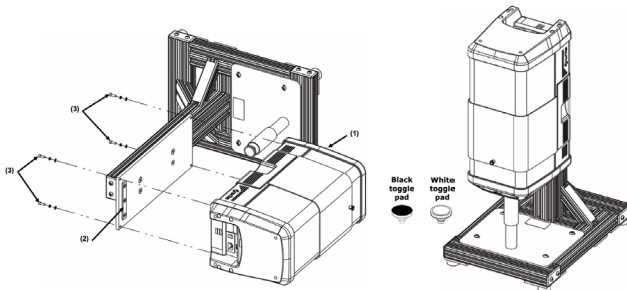


### Preform Holder Assembly

Enables relative reflectance measurement of liquid samples in cuvettes.

CiA-802

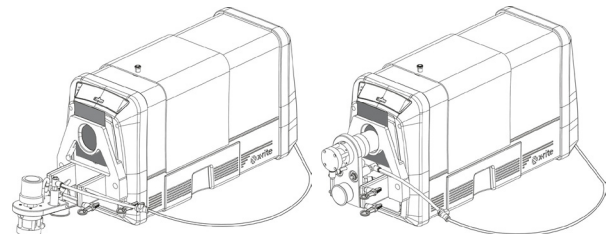
## Fiber, Carpet, & Textiles



### Port Down Vertical Stand

Enables port down reflectance measurements for fast presentation and measurement on samples like denim and fabrics.

CiA-805



### Ci7x00 Pressure Arm

Pneumatic powered assembly enables measurement of deep pile samples.

Items dependent on SD146-01 or A-AP/GLAV57  
CiA-806



### Glass 25mm Aperture

Protects sphere and prevents inadvertent damage.

A-AP/GLAV57



### Fiber Compression Cuvette

Enables measurement of fibers in cuvettes.

SD146-01

## Instrument Add-On Accessories



### Dust Filter Kit

Prevents dust and other airborne contaminants in the working environment from entering the instrument and negatively impacting performance.

*CiA-815*



### Sample Arm Toggle Subassembly

**(White Embedded Tile)\***

Ideal for reflectance measurements that require a white backing, such as textiles, plastics, or other less than opaque samples.

\*Standard on Ci78xx

*GM29021020*



### Apertures for Ci7000 Series

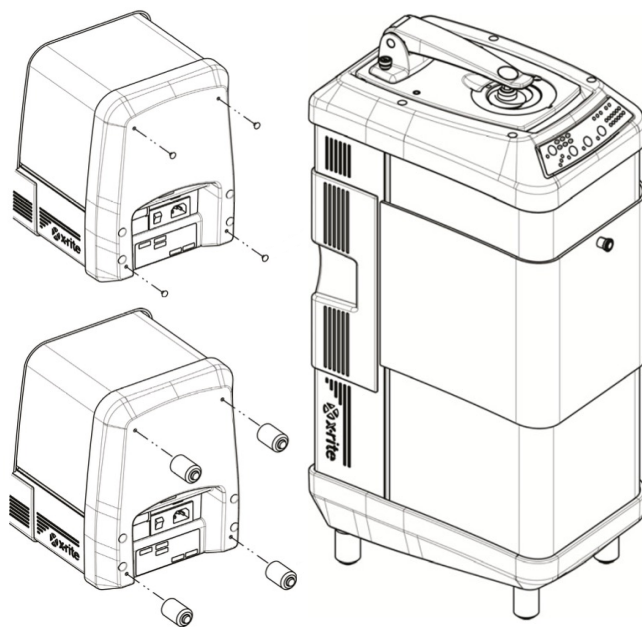
Various apertures to maximize measurement and sample spot size.

Compatible Apertures Available Ci76xx, Ci78xx, Ci75xx

- CiA-25-05, 3.5MM\*
- CiA-25-04, 6MM\*
- CiA-25-03, 10MM
- CiA-25-02, 17MM\*
- CiA-25-01, 25MM

\* Manufactured after March 2023.

## Large Parts, Powders & Pellets



### Port Up Accessory Feet Kit

Allows for measurements to be taken vertically, or with measurement port facing up.

*CiA-801*

## Thin Films

### Transmission Sample Holder

Assists in total or direct measurement of non-opaque samples, like thin films.

*Ci7600 Sample Holder: CiA-800-02*

*Ci7800/Ci7860 Sample Holder: CiA-800-01*

### White Diffuse Backer

CiA-227-Kit

Not Compatible with Ci75xx, Ci7630, Ci7830



# Ci60 Series

*Compatible with all models, Ci60 series parts and accessories are designed to solve the most common device and measurement challenges.*





## Liquids with Instrument Stand

### Portable Instrument Stand

Converts your handheld device into a benchtop position for vertical or horizontal sample plane measurement.

Compatible with Ci6x & 96x Series

*Ci62-801*

### Black Trap

Required for using the Ci60 series in the Portable Measurement Stand.

Items dependent on Ci62-801

*Ci52-804*



### Cell Holder for Powder or Liquid – Port Up

Aids in liquid or powder measurement. Must be used with the Portable Instrument Stand for proper measurement.

Items dependent on Ci62-801

*SP62-802*



### Liquid Cell Holder – Port Forward

Aids in liquid measurement. Must be used with the Portable Instrument Stand for proper measurement.

Items dependent on Ci62-801

*SP62-803*



## Payment Cards

### Payment Card Holder

Holds payment cards like debit, credit, etc. for color measurement.  
Compatible with Ci6x, 96x & eXact Series  
*Ci62-804*



## Small or Odd-Shaped Parts

### Universal Sample Holder

Ensures consistent and repeatable color measurement of objects such as cosmetic cases (lipstick and eyeliner), pen bodies and small molded bottles. The fixture also works well for measuring fabric samples that require several folds to achieve opacity.  
Compatible with Ci6x & 96x Series  
*DRS-803*



## Plastic Pellets

### Pellet Holder

Slips over the shoe of the Ci60 series to measure plastic pellets. A plunger applies pressure to hold pellets during measurement, and the holder features a sample reservoir that can be closed to prevent spillage.  
Compatible with Ci6x & 96x Series  
*DRS-801*

## Cylindrical Shaped Samples



### Cup & Cylinder Fixture

Holds cups and cylindrical-shaped samples for measurement with an X-Rite portable handheld spectrophotometer.

Compatible with Ci6x, 96x & eXact Series

*Ci62-803*



### V-Block Kit

Holds small, odd-shaped parts. (.5 inch / 1.27 cm to 1.25 inch / 3.175 cm round).

Compatible with Ci6x & 96x Series

*DRS-802*



## Lipsticks

### Lipstick Holder

Secures lipsticks in a custom holder for color measurement.

Compatible with Ci6x & 96x Series

*Ci62-802*



## Printed Cans (Metal Deco)

### Can Holder

Holds standard-size aluminum beverage cans (2.6 inch / 6.604 cm diameter) for measurement with an X-Rite portable handheld spectrophotometer.

Compatible with Ci6x & 96x Series

*DRS-800-026*



# MetaVue VS3200

*Compatible with the MetaVue VS3200, these parts and accessories are designed to solve the most common device and measurement challenges.*



## Large or Odd-Shaped Samples

### Adjustable Stand

Allows the instrument to be raised and lowered above the work surface to accommodate samples with varying thicknesses.

VS3-800



## Convert Instrument to Measure Like a Benchtop

### Benchtop Stand:

Converts the instrument into a benchtop spectrophotometer with a sample arm to keep samples flat and in position. Useful for measuring objects such as paint drawdowns, leather, and vinyl.

VS3-810

# Powders, Liquids, Pastes & Gels



## Instrument Stand

Facilitates measurement of pellets, powders, liquids, pastes, and gels without contaminating the instrument or damaging the sample. Designed to work with replaceable Sample Holders for the greatest flexibility.

VS3-802

## Sample Holders to Accompany Instrument Stand



## Optional Spoon Kit Accessories



**10 pack of large (20 ml) black spoons**  
FXT-800-005-BK



**10 pack of small (2.5 ml) black spoons**  
FXT-800-006-BK



**Leveler**  
FXT-800-004

## Spoon Kit

- Accommodates a large (20 ml) spoon.
- Accommodates a small (2.5 ml) spoon.
- Large spoon, small spoon & leveler included.

FXT-800-002-BK



**Petri Dish Holder (White)**

Accommodates Petri dish up to 55 mm (2.25") in diameter and exactly 15mm (0.65") in height. Petri dish not included.

*FXT-800-003-WT*

**Petri Dish Holder (Black)**

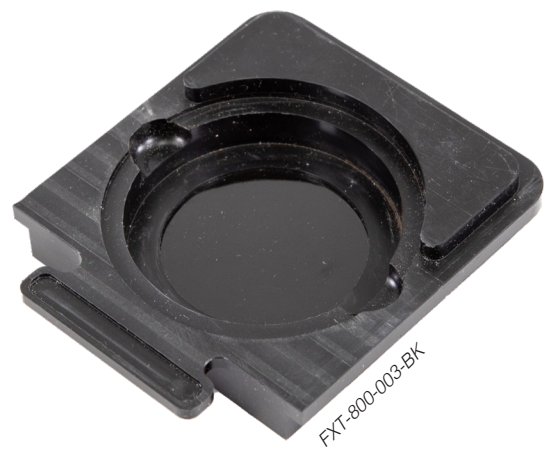
Accommodates Petri dish up to 55 mm (2.25") in diameter and exactly 15mm (0.65") in height. Petri dish not included.

*FXT-800-003-BK*

**Custom Sample Holder**

Custom sample holder designed to fit the samples you need to measure.

*FXT-800-001*



# We're Color Experts

We understand excellent color presentation indicates exceptional quality and your achievements depend on reliable and precise production of color. With numerous opportunities for color to falter, it is difficult to determine the correct approach. That's where we can help! With 60+ years of experience in color manufacturing and locations worldwide, our expertise spans a range of industries. Let us empower you to achieve the highest level of color accuracy so your product, as well as your customer's product, stands out amongst the competition.

## X-Rite Pantone can help.

Visit [xrite.com](http://xrite.com) to learn how our Color Experts can audit your operation and give you a free color maturity report.



End-To-End Solutions



Innovation



Service



Technical Support



## Your Partner in Sustainability

As part of our ongoing commitment to environmental responsibility, we continue to develop and refine innovative color measurement solutions to help our customers minimize waste and promote sustainable manufacturing practices.



X-Rite is either a registered trademark or trademark of X-Rite, Incorporated in the United States and/or other countries. PANTONE®, PantoneLIVE and other Pantone trademarks are the property of Pantone LLC. All other trademarks or registered trademarks are the property of their respective owners. © X-Rite, Inc. 2023. All rights reserved. L10-646-EN (11/23)