



## X-Rite Hanging Luminaires

### Custom Viewing Tables

#### Featuring SpectraLight QC Luminaires

X-Rite Luminaires can be hung over a visual evaluation table to visually evaluate product color under different light sources, as the customer is most likely to see it. They are ideal for evaluating raw materials, such as cut-and-sew parts, buttons, zippers, threads, etc. to ensure color harmony before assembly. They can also be used to evaluate a textile color palette during design as well as multiple garments or parts side-by-side to ensure color integrity when the light source changes.

#### Simulate a Variety of Viewing Conditions

X-Rite Hanging Luminaires can simulate up to 7 different light sources, including the industry's de facto standard for filtered tungsten daylight (CIE D50 & D65), Incandescent (CIE 'A'), UV, LED (4000K & 5000K), Horizon, and multiple fluorescent sources.

- Provides optimal daylight simulation for superior visual assessment results, unlike other luminaires on the market that depend solely on fluorescent lighting.
- Prevents color surprises, like metamerism, once the final product is assembled, especially the impact of optical brightening agents.
- Enables multiple quality controllers to evaluate at once to ensure the highest quality standards.

#### Ensure Components Match

SpectraLight QC Luminaires can help detect visual color differences between parts, fabrics, and notions fulfilled by global suppliers.

- Evaluate components and raw materials under multiple light sources throughout production.
- Establish a QC program that enables multiple evaluators to assess samples at the same time.
- Use in conjunction with the SpectraLight QC Light Booth so brand owners, suppliers, and manufacturers can achieve consistent color evaluation from design through final production around the globe.

#### Create the Best Layout for Your Visual Evaluation Needs

X-Rite Hanging Luminaires are ideal for evaluating objects that will not fit in a light booth but are not large enough to require a Harmony Room.

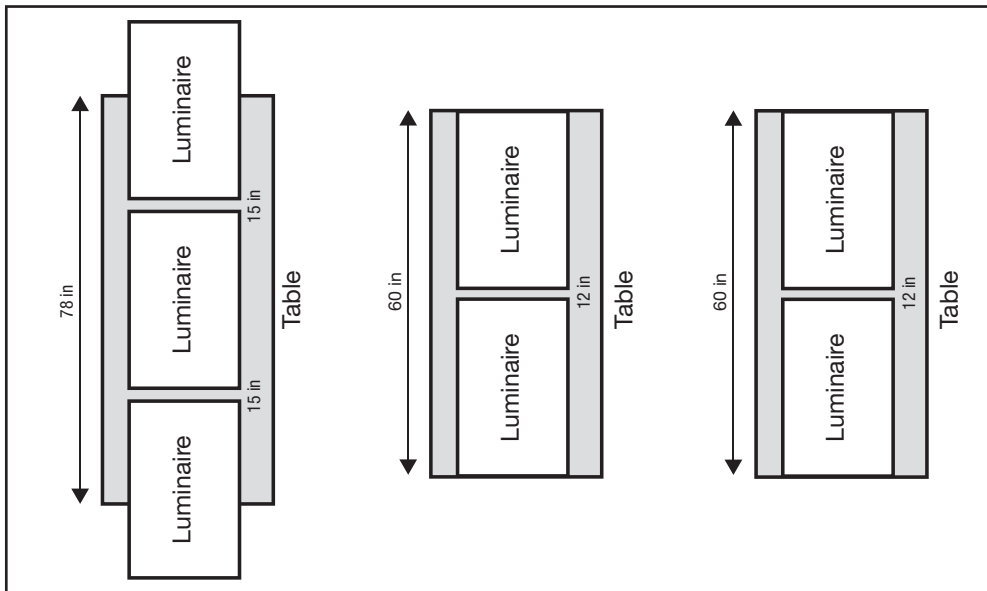
- Hang over a visual evaluation table in a configuration as small as 1x2 and as large as needed to achieve the desired light level and area of view.
- Establish custom controls through a master luminaire plus remote controls to replicate conditions to the rest of luminaires or create sub-groups of luminaires and control each group independently.
- X-Rite lighting experts are available to help define the best hanging luminaire solution for every evaluation need.

# X-Rite Hanging Luminaires Custom Viewing Tables

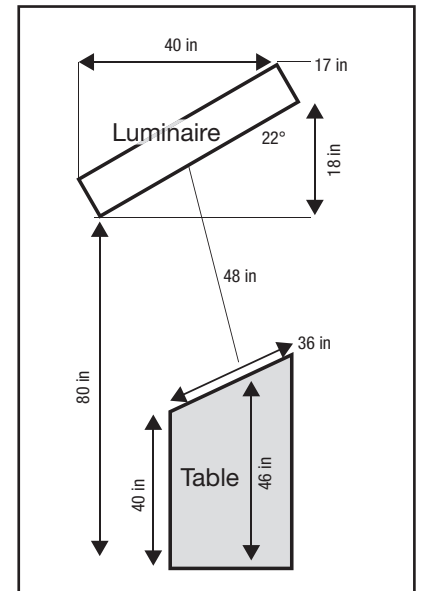
## Specifications

|   | X-Rite SpectraLight QC Luminaires | Competitor LED Color Rooms |
|---|-----------------------------------|----------------------------|
| Meets Applicable Industry Standards           | ✓                                 | ✓                          |
| Light Sources                                 | 7                                 | 2-5                        |
| CIE Daylight/UV Metamerism Index*             | A/B                               | B/C                        |
| Calibrated CIE Daylight                       | ✓                                 |                            |
| Annual Certification Program                  | ✓                                 |                            |
| Design Customization and Lux Simulation       | ✓                                 |                            |
| Wall Panel or Remote Control of up to 8 Zones | ✓                                 |                            |

\*As defined by CIE 51.2-1999 Technical Report, "A Method for Assessing the Quality of Daylight Simulations for Colorimetry."



**Figure 1**  
Mounting Diagram - Top Views



**Figure 2**  
Mounting Diagram - Side Views

## Service & Support

X-Rite's Field Service Care Plan program is an effective and easy way to ensure your Harmony Room continues to perform to original specifications to achieve the highest level of color accuracy. Let our qualified X-Rite Service Engineers come to your location to perform preventative maintenance and certify your Harmony Room. Contact us for more information. **Phone:** 1-888-826-3042, Option 2 **E-mail:** [fieldservices@xrite.com](mailto:fieldservices@xrite.com)